



Petrotec

# EURO 4000B VI

## STANDARD SPECIFICATIONS

### Construction:

Frame: Galvanised carbon steel; double coated painting

Housing: Stainless steel (AISI 316)

Panels: Aluminium; double coated painting

### Suction pump:

Monoblock, with gas separator and non-return valve

### Meter:

Double-action positive displacement

Volume meter with 4 pistons

Accuracy: ± 0,2%

### Filter:

Stainless steel, reusable, 100µm mesh filter easy to clean

### Motor:

Eexd Motor single or three phase, 50/60 Hz with built in thermal protection

### Calculator:

CEM or DISCO

### Protocols:

Petrotec, Pulse Interface, IFSF-LON, ER3, G, Others

### Hose:

5/8", 3/4", and 1" or according to EN 1360 with textile reinforcement

### Nozzle:

Automatic nozzle ZVA slimline

## OPTIONS:

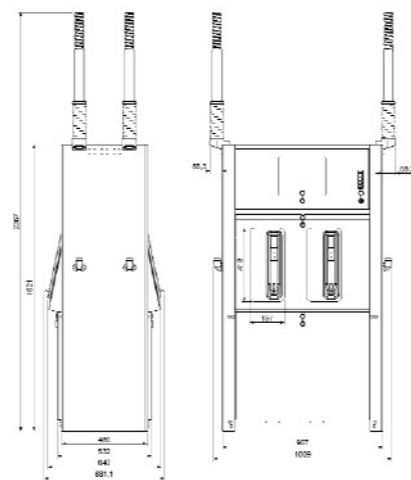
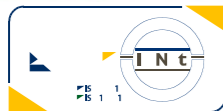
- DISPENSER / SUBMERGE
- 90 OR 130 L/MINUTE FLOW RATE
- SPEED SELECTION (50/90 L)
- SINGLEPHASE SUPPLY
- VOLUME OR PRICE PRESETTING
- SIGHT GLASS
- BREAKAWAY IN THE NOZZLE OR HOSE
- COLOUR HOSES AND SLEEVES
- CUSTOMISED PAINTED PANELS
- INTERFACES TO OTHER EQUIPMENT
- SATELLITE
- CIRCUIT BREAKERS IN THE EQUIPMENT
- VAPOUR RECOVERY
- VAPOUR RECOVERY MONITORING SYSTEM
- FLEXIBLE PIPE
- ELECTRONICS HEATER
- VOICE MODULE
- FOUNDATIONS FRAME
- TAG READER



## RETAIL LINE EURO 4000B VI

Euro 4000B VI is a multiproduct dispenser with hose mast that works as stand-alone in attended or self-service stations.

Saving valuable space due to its compact design.



**Weight:**  
170kg to 280Kg

Petrotec is continuously improving its products. Changes on the specifications may occur without prior notice.

PETROTEC MARKETING TEAM 2006

Parque Industrial de Guimarães - Pav. C2, Ponte  
4800-493 Guimarães - Portugal  
P. (+351) 253 479 300 F. (+351) 253 479 318  
isd@petrotec.pt | www.petrotec.pt



EURO 4000B VI

MOD. B4000BVI 3 07\_2006





**Petrotec**

### Petrotec Group

In one of the most important economy sectors, Petrotec Group is one of its greatest references, due to the fact that it is one of the five largest manufacturers of the world, concerning the production of equipments to the oil industry distribution and retail, and the only one offering global solutions.

It has achieved its status and prestige on its own with no further than two decades of activity. With more than four hundred collaborators and several branches operating in four continents, Petrotec Group has been standing out not only due to its dynamics in a sector which is known by its high competitiveness, but also by the high satisfaction of its clients.

Petrotec Group is proud of belonging, for more than a decade, to the restrict group of manufacturers whose technology is 100 per cent their own, which reflects the technology potential of its research and development departments. It is also important to refer that all the activities are certificated according to the ISO 9001 and ISO 14001 standards.

Petrotec Group's current activity consists of fuel and LPG pumps production, research and development of hardware and software solutions, especially conceived or adapted to each client's specific needs, management and control systems in filling stations, car wash equipments, solutions for garages and maintenance services.

The largest oil companies of the world are some of Petrotec Group's clients, which has brought to it great pride and prestige. The aims are not only to consolidate but mainly to strengthen the already excellent position Petrotec Group occupies in the market. Thus it is trying to enlarge the distribution network as well as to develop partnerships in new markets.

## EURO 4000B VI

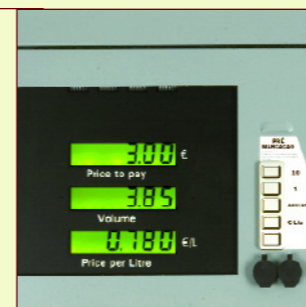
In a market whose main characteristics are the extreme competitiveness and demand, excellence is not a mere luxury, but an obligation. It was in this context that the new Petrotec Euro 4000B VI series was born.

Euro 4000B VI was designed and conceived to serve conventional/traditional fuel selling and distribution places/points. It can be easily adapted to the most revolutionary self-service systems, and it can be integrated in a group where it coexists with cash registers, electronic probes, card payment terminals, back-office systems, price signs, etc... The fact that it can also work in stand-alone is one of its main characteristics, along with the aerial hoses. It's available from 2 to 8 hoses and from 1 to 4 products.

Thanks to its several characteristics, Euro 4000B VI series satisfies the companies' needs. It was conceived in order to obey the most demanding international standards. Therefore it has the advantage of being able to operate in any market according to the highest quality and technological patterns, concerning not only the materials used but also the manufacturing process. This wide range of characteristics allows Euro 4000B VI series to have a longer life cycle, and consequently a higher profitability to the business. The internal organs disposition was made aiming the effectiveness, by allowing quick servicing.

However, the highest quality manufacture standards can be also seen on the outside, since the Euro 4000B VI series technology is protected by a hermetic stainless steel outer covering, which guarantees its performance against the hardest environmental conditions.

- Excellent price/quality relation;
- Extraordinary reliability of its components;
- High quality manufacture standards;
- High flow rate levels;
- Modern and attractive compact design.



### CEM or DISCO Calculator

The Calculator is the electronic heart of VI series retail line pumps. Due to its modular conception and high industrial technology, it achieves high levels of reliability and flexibility.

The software is conceived on IFSF data model and others, which allows its configuration and usage in every country.

- It controls 2 filling positions up to 4 displays;
- It controls up to 8 hoses and 5 products (4 products as Euro 4000);
- Value or volume presetting 5-key keyboard (numerical 12-key keyboard optional);
- Configuration from console or presetting keyboard;
- Electronic and electromechanical totalizer for each hose;
- Monitoring of motor thermal protection and valve operation;
- Internal self-diagnosis;
- Data retention in EPROM for security.

### TECHNICAL SPECIFICATIONS

- Numerical LCD Displays, with high contrast 1" digits
- Back-lightened Displays, visible from all angles
- Independent visualization Displays, for easier reading

#### Number of digits

- Total: 6 digits (8 as optional)
- Volume: 6 digits
- Unit Price: 4 digits

### ELECTRONICS

- Voice module (optional);
- Electronics heating with thermostat (optional);
- Price programming through physical key;
- Ability to operate in stand-alone and/or self-service, connected to the filling station managing system (Genesys, Eurosys or others);
- Backup battery.

### SUCTION PUMP

- Monoblock fuel pump developed and produced by Petrotec, "RTF" model, of positive-displacement, high robustness;
- Integrated gas separator;
- Non-return valve integrated in the outlet;
- Bypass adjustable up to 3,5 bar;
- Pump activated by pulley and Vbelt, temperature and hydrocarbonates proof, as well as by a flame proof electric motor;
- Tri-phase or single-phase connection, of 50 or 60 Hz;
- Stainless steel reusable 100µm suction filter;
- Ability to prime, with connection to the mechanical installation in 1 1/2" through a 400mm flexible pipe, or rigid pipes in dispenser case.

### TECHNICAL SPECIFICATIONS

- Maximum flow rate: 50/90/130 L/Minute
- Minimum flow rate: 5 L/Minute
- Pump speed: 900/1470 r.p.m.
- Electric motor: 0.75/2.2 KW (with built in thermal protection)
- Pressure: 1.3/2.1/3 bar

### METER

- Petrotec Meter, PTF25-80 model, per hose;
- The most reliable and the safest in the market, with decades of experience and high measuring accuracy, about ± 0,2%, which is possible only to the 4 pistons meters;
- Positive-displacement meter, which assures, even in great streams, a continuous checking through the years.

### TECHNICAL SPECIFICATIONS

- Precision: ± 0,2%
- Maximum pressure: 3 bar
- Maximum flow rate: 130 L/Minute
- Minimum flow rate: 2.5 L/Minute
- Volume per revolution: 0.5 L